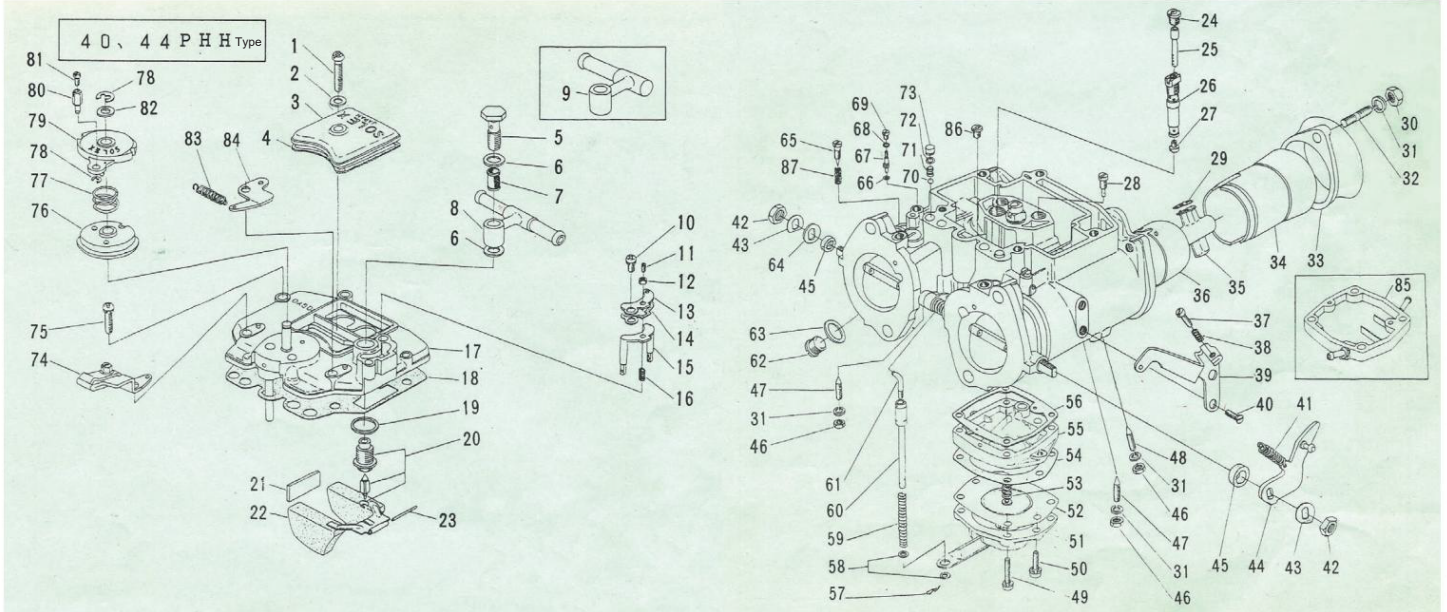


# SOLEX4 type 44φ exploded view and parts list (S type/4 type)



SOLEX4 exploded view parts list

## Parts Price List

Number	Part Number	Product Name	necessary amount		price
			S type 4 cylinder	4 type 6 cylinder	
1	N115.050	Screw, jet chamber cover		3	140
	N115.106	Screw, jet chamber cover	2		140
2	BV223/40	washer	2	3	70
3	N115.014	Type 4 cover, jet chamber (reproduction)		3	3,000
	N115.012	S-type cover, jet chamber	2		660
4	N107.018	gasket, jet chamber		3	300
	N115.103	gasket, jet chamber	2		300
5	N101.023	Bolt, banjo	2	3	1,000
6	N101.080	Washer	4	6	140
7	N101.092	Filter Assy (OER reused product)	2	3	540
8	N115.028	Fuel pipe Assy (T)	1	2	4,000
9	N115.033	Fuel pipe Assy (L)	1	1	3,300
	N101.339	Fuel pipe Assy (straight)	2	3	4,000
10	CW2-0512	Screw, with washer	2	3	70
11	N115.005	Screw, float level adjuster	2	3	240
12	N101.260	Nut	2	3	170
13	N115.009	Plate (reproduction product)	2	3	750
14	N115.010	Gasket	2	3	200
15	N115.016	Float hanger	2	3	1,200
16	N115.015	Spring	2	3	170
17	N115.403	Float chamber cover Assy		3	-
	N115.100	Float chamber cover Assy	2		-
18	N115.013	Gasket, float chamber cover		3	550
	N121.019	Gasket, float chamber cover	2		550
19	N114.011	Gasket, needle valve	2	3	120
20	N115.037	Needle valve assembly (1.8 2.0 2.3)	2	3	2,850
21	N115.018	Plate	2	3	240
22	N115.011	Float assembly	2	3	3,300
23	BD28/44	Pin, float	2	3	170
24	B42/56	Jet, main air	4		640
	B42/55	Jet, main air		6	640
25	N101.190	Pipe, main bleed	4		1,000
26	N101.188	Jet block assembly (B)	4		3,300
	N101.253	Jet block assembly (OA)		6	3,300
27	N100.604	Jet, main	4	6	640
28	N101.043	jet, pilot	4	6	640
29	N101.019	gasket, small venturi	4	6	200
	N121.188	gasket, small venturi	4		200
30	N1-06	Nut	8	12	140
31	W4-06	Washer	8	12	70
32	N101.147	Stud bolt	8		440
	T3-0616	Stud bolt		12	440
33	O-101193	Air funnel (L-50mm)	4		4,500
	O-101.240	Air funnel (L-50mm)		6	4,500
	K-101.207	Air funnel (L-75mm)		6	6,300
35	N121.106	Venturi small	4		-
	N101.205	Venturi small		6	3,500
36	N121.015	Venturi large (31.32,34,36φ)	4		4,000
	N107.203	Venturi large (34,37φ)		6	4,000
	K107.203	Venturi large (36,38,40φ)		6	3,500
37	N101.176	Screw, throttle adjust	2		350
	N115.053	Screw, throttle adjust		3	350
38	4/148	Spring, throttle adjust	2		170
	N115.057	Spring, throttle adjust		3	170
39	N107.073	Bracket, throttle stop	2	3	1,650
40	N107.026	screw, bracket	4	6	200
41	N107.112	spring, throttle return	2	3	660
42	BDC36/35	nut	4	6	140
43	B42/75	washer	4	6	140
44	N107.071	Type 4 lever assembly		3	2,000
	N115.104	S type lever assembly (Reprint)	2		2,500

\*The part numbers shown above are S type for 40φ and type 4 for 44φ.

Number	Part Number	Product Name	necessary amount		price
			S type 4 cylinder	4 type 6 cylinder	
45	BDC36/325	Seal, throttle shaft	8	12	200
46	N3-06	Nut	8	12	140
47	N107.174	Screw	4	6	240
48	N107.784	Screw		6	240
	N107.173	Screw	4		240
49	CW2=0422	Screw with washer	8		70
	CW2=0435	Screw with washer		12	70
50	CW2=0416	Screw with washer	4	6	70
51	N101.067	Cover Assy	2	3	-
52	N107.030	Diaphragm Assy	2	3	2,310
53	N101.056	Spring, pump	2	3	170
54	N107.048	Gasket, pump cover	2	3	200
55	N102.219	Body Assy		3	-
	N121.067	Body Assy	2		-
56	N107.012	Gasket, pump body	2	3	200
57	Y-1006	Split pin	2	3	70
58	BV26/32	Thin washer	2	3	70
	RFT40	Thick washer		3	70
	VM15/252	Washer	4		70
59	N101.030	Springs, pump	2	3	270
60	N102.220	rods, pump (Reprint)	2	3	900
61	N107.831	rods, connecting	2	3	900
	N121.034	rods, connecting	2		900
62	N101.097	Plug screw		6	470
	N121.024	Plug screw	4		470
63	BD34/44	Washer		6	100
64	N107.106	Color (Reprint)	2	3	360
65	N101.181	screw, pilot		6	500
	N110.266	screw, pilot	4		900
66	N102.065	Gaskets, pump nozzle	4	6	70
67	N102.202	Nozzle, pump		6	1,200
	N121.033	Nozzle, pump	4		1,200
68	BV223/18	O-ring	4	6	100
69	N102.026	Plug screw	4	6	270
70	N110.081	Ball	4	6	140
71	N115.060	Weight, pump		6	170
	N121.035	Weight, pump	4		170
72	B21/156	O-ring		6	80
73	N102.064	Pump plug		6	200
74	N107.134	Bracket assembly	1	1	1,650
75	CW2=0525	Screw with washer	10	15	70
76	N107.118	Starter disc	2		-
	N107.247	Starter disc		3	-
77	N101.063	Spring, starter disc	2	3	300
78	BSW28/69	snap ring	2	3	140
79	N101.083	cover, starter	2	3	-
80	N107.019	terminal	2	3	-
81	B2=0508	bolt	2	3	170
82	M10/59	washer	2	3	70
83	B30/61	spring, starter return	2	3	500
84	N115.067	bracket, starter	2	3	600
86	B42/55	jet, starter		3	640
	N102.221	jet, starter	2		-
87	N110.209	Spring, pilot screw	4		170
	4/148	Spring, pilot screw		6	170
88	N107.843-1A	3 Type Repair Kit (1 unit)	2	3	4,230
	N115.086-1A	S type Repair Kit (1 unit)	2		4,230
	N115.088-1A	S-5 type Repair Kit (1 unit) (Reprint)	2		5,000
	N115.087-1A	4 type Repair Kit (1 unit)	2	3	4,230
89	15D113	3 type Side lever kit	2	3	5,230
	15D114	S type Side lever kit (Reprint)	2		5,730
	15D113	4 type Side lever kit		3	5,230